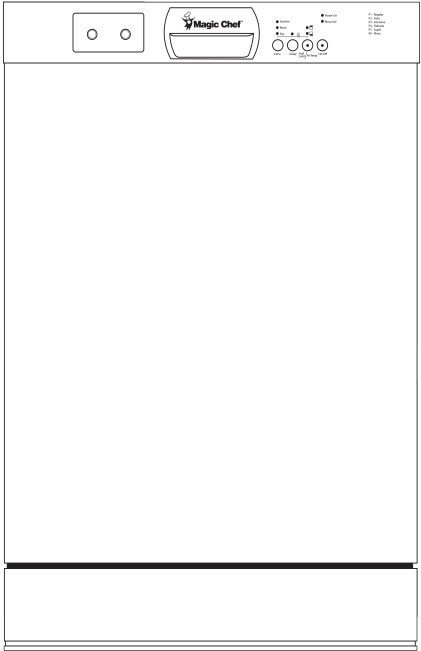




# Dishwasher

## *User's Manual*



Model MCSDW7FCB / MCSDW7FCW

**PLEASE READ THIS MANUAL CAREFULLY BEFORE USING  
YOUR DISHWASHER AND KEEP IT FOR FUTURE REFERENCE.**



## PRODUCT REGISTRATION

Thank you for purchasing a Magic Chef® product. The first step to protect your new product is to complete the product registration on our website: [www.mcappliance.com/register](http://www.mcappliance.com/register). The benefits of registering your product include the following:

1. Registering your product will allow us to contact you regarding a safety notification or product update.
2. Registering your product will allow for more efficient warranty service processing when warranty service is required.
3. Registering your product could act as your proof of purchase in the event of insurance loss.

Once again, thank you for purchasing a Magic Chef product.

# CONTENTS

PRODUCT REGISTRATION .....	2
IMPORTANT SAFETY INSTRUCTIONS .....	4
SPECIFICATIONS.....	6
PARTS AND FEATURES .....	7
BEFORE USE .....	8
OPERATING INSTRUCTIONS .....	16
CARE AND MAINTENANCE .....	20
TROUBLESHOOTING.....	22
ADDITIONAL INFORMATION AND TIPS .....	23
LIMITED WARRANTY .....	24

# IMPORTANT SAFETY INSTRUCTIONS

**▲ WARNING:** When using the dishwasher, follow basic precautions. Read all instructions before using the dishwasher! Save these operating instructions and pass them on to any future user.

Use the dishwasher only for its intended purpose as described in this user manual. This appliance is intended for normal household use only. Do not change the specification of the appliance. The manufacturer disclaims responsibility for damage or injury caused by improper use of this appliance.

The information in this user manual must be followed to minimize the risk of fire or explosion and to prevent property damage, personal injury or loss of life

1. Use only detergents or wetting agents recommended for use in a dishwasher and keep them out of the reach of children.
2. When loading items to be washed.
  - Locate sharp items so that they are not likely to damage the door seal, and
  - Load sharp knives with the handles up to reduce the risk of type injuries.
3. DO NOT wash plastic items unless they are marked "dishwasher safe" or the equivalent. For plastic items not so marked, check the manufacturer's recommendations.
4. DO NOT touch the HEATING ELEMENT during or immediately after use.
5. DO NOT operate your dishwasher unless all ENCLOSURE panels are properly in place.
6. DO NOT tamper with controls.
7. DO NOT abuse, sit on, or stand on the door or dish rack of the dishwasher.
8. The cup racks are designed to support cups, glasses and kitchen utensils. When the cup racks are in the dishwasher do not lean on or use the cup racks to support your body weight.
9. This appliance must be grounded. In the event of a malfunction or breakdown, grounding will reduce the risk of electric shock by providing a path of least resistance for electric current. This appliance is equipped with a cord having an equipment grounding conductor and a grounding plug. The plug must be plugged into an appropriate outlet that is installed and grounded in accordance with all local codes and ordinances.
10. **▲ WARNING:** Improper connection of the equipment grounding conductor can result in a risk of electric shock. Check with a qualified electrician or service representative if you are in doubt whether the appliance is properly grounded. Do not modify the plug provided with the appliance, if it will not fit the outlet, have a proper outlet installed by a qualified electrician.
11. Some dishwasher detergents are strongly alkaline. They can be extremely dangerous if swallowed. Avoid contact with the skin and eyes and keep children and infirm persons away from the dishwasher when the door is open. Consult a doctor immediately if detergent has been swallowed or inhaled.
12. DO NOT remove the dishes from the appliance until the program is complete. Some detergent may remain on the dishes.
13. Check that the detergent dispenser is empty after the completion of each wash program.
14. DO NOT drink and play with the water in the appliance. Harmful residues could be present.
15. To reduce the risk of injury, do not allow children to play in or on a dishwasher.
16. When children become old enough to operate the appliance, it is the responsibility of the parents/legal guardians to ensure the children are instructed in safe practices by qualified persons.
17. DO NOT leave the appliance with the open door unattended to avoid stepping accidentally onto it.
18. **▲ WARNING:** Before any maintenance operation, deactivate the appliance and disconnect the mains plug from the socket.
19. DO NOT use high pressure water sprays and/or steam to clean the appliance.
20. Ensure that there are no visible water leaks during and after the first use of the appliance.
21. To avoid floor damage and possible mold growth, do not allow wet areas to remain around or under the dishwasher.
22. To avoid dishwasher damage, do not allow water to remain in your dishwasher systems through extended periods of freezing.
23. **RISK OF INJURY:** To avoid risk of injury, always use caution when opening the door during or following a wash cycle as hot water or steam may escape.
24. DO NOT store or use flammable liquids or vapors in the area of the dishwasher, near or on the appliance.

25. Under certain conditions, hydrogen gas may be produced in a hot water system that has not been used for two weeks or more. HYDROGEN GAS IS EXPLOSIVE. If the hot-water system has not been used for such a period, before using the dishwasher turn on all hot-water faucets and let the water flow from each for several minutes. This will release any accumulated hydrogen gas. As the gas is flammable, do not smoke or use an open flame during this time.

26. Please check the water supply line periodically. It is susceptible to breakage. It becomes less flexible as time goes by. Replace it immediately when it is torn, cut, swollen or there is water leakage.

## RECYCLING

Remove the door to the washing compartment when removing an old dishwasher from service or discarding it. Ensure that the appliance presents no danger to children while being stored for disposal. Before disposing the dishwasher:

1. Disconnect the appliance from the mains supply.
2. Cut off the mains cable and discard it.
3. Remove the door catch to prevent children and pets to get closed in the appliance.

Old appliances may contain materials that can be recycled. Please contact your local recycling authority about the possibility of recycling these materials.

Please check the water supply line periodically. It is susceptible to breakage. It becomes less flexible as time goes by. Replace it immediately when it is torn, cut, swollen or there is water leakage.

Please keep the dishwasher package out of the reach of children after unpacking it.

**▲ WARNING:** Risk of injury or suffocation! Ensure that any plastic wrappings, bags, small pieces etc. are disposed of safely and kept out of the reach of children.

## INSTALLATION

**▲ WARNING:** When installing the dishwasher, follow basic precautions, including the following:

Please check the standards and local codes for placement of machine.

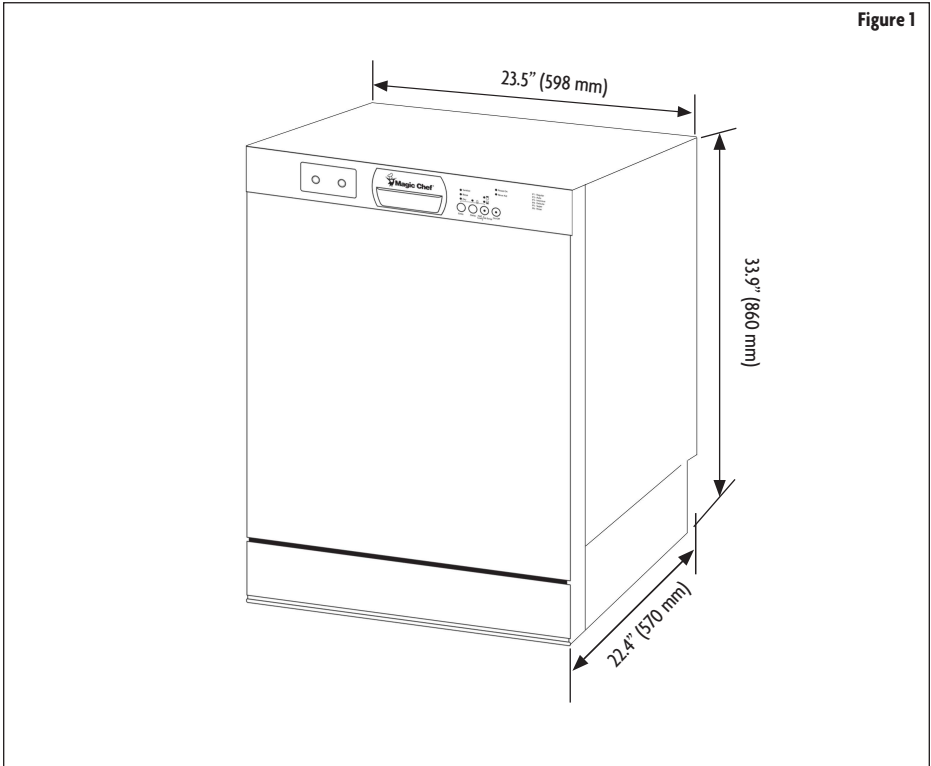
1. Installation, maintenance and repair should be performed by a qualified installer. Work by unqualified persons could be dangerous and may void the warranty.
2. DO NOT operate the appliance if damaged, malfunctioning, partially disassembled or if it has missing or broken parts.
3. Before installation or service, disconnect the power supply to the work area by unplugging the unit, “tripping” the circuit breaker or removing the fuse.
4. Only connect the dishwasher to the power supply when all installation and plumbing work is complete.
5. Never connect the ground wire to gas lines, or hot water pipes, plumbing lines.
6. DO NOT install or store the dishwasher where it can be exposed to below freezing temperatures or exposed to weather.
7. Dishwasher must be secured to adjacent cabinetry using the brackets provided. Failure to do this may cause damage to property or bodily injury.
8. Connect to a properly rated, protected and sized power supply circuit to avoid electrical overload. The dishwasher is designed for an electrical supply of 120 V (volts), 60 Hz (hertz), AC, connected to a dishwasher-dedicated, properly grounded electrical circuit with a fuse or breakers rated for 15 amperes. Electrical supply conductors shall be a minimum of # 16 AWG copper wire rated at 75 °C (167 °F) or higher. These requirements must be met to prevent injury and machine damage. Consult a qualified electrician if in doubt.
9. DO NOT use any extension cord or portable outlet device to connect the dishwasher to a power supply.

**▲ WARNING:** Danger of suffocation! Ensure that any plastic wrappings, bags, small pieces etc. are disposed of safely and kept out of the reach of children.

**READ AND FOLLOW THIS  
SAFETY INFORMATION CAREFULLY  
SAVE THESE INSTRUCTIONS**

# SPECIFICATIONS

Figure 1



Height	33.9" (860mm)
Width	23.5" (598 mm)
Depth	22.4" (570 mm)
Voltage	120V AC/60 Hz
Water Pressure	4.35-145.0 psi (0.3-10 bar)
Hot Water Temperature	120 °F (49 °C)
Rated Current	12 A
Capacity	15 Place Settings

# PARTS AND FEATURES

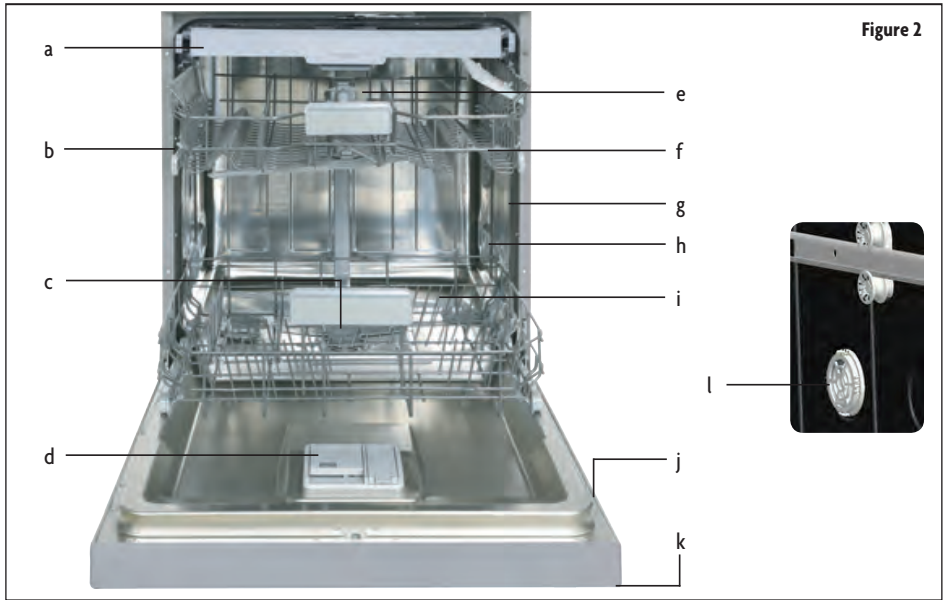


Figure 2

- |                                      |                    |                  |
|--------------------------------------|--------------------|------------------|
| a. Upper Cutlery Rack                | e. Upper Nozzle    | i. Lower Rack    |
| b. Upper Basket Track Latch          | f. Upper Rack      | j. Rating Plate  |
| c. Filter Assembly                   | g. Upper Spray Arm | k. Control Panel |
| d. Detergent and Rinse Aid Dispenser | h. Lower Spray Arm | l. Drying Unit   |

# BEFORE USE

## PREPARING YOUR DISHWASHER FOR THE FIRST USE

- Make sure the electricity and supply water specifications match the values indicated in the installation instructions for the machine.
- Open the door of the dishwasher.
- Remove all packaging material inside the machine.
- Set the rinse aid dosage (See chapter of filling the rinse-aid and setting).
- Fill the rinse aid compartment. (See chapter of filling the rinse aid and setting).
- Place the dishes in accordance with the instructions in the user manual.
- Put adequate amount of detergent into the detergent dispenser. (See chapter of filling the detergent).
- Make sure that the upper and lower impellers rotate freely.
- Select program according to amount of dirt (See chapter of Program table).
- Close the door of the dishwasher. (Push the baskets in. Then lift the door upwards and push until it clicks into position).

**▲ CAUTION:** To prevent injuries, ensure that your hand is not jammed or crushed between the door and appliance.

**▲ WARNING:** If you open the door while the appliance is running all functions are automatically interrupted.

**▲ CAUTION:** There may be an escape of hot steam when you open the door of your machine. Be careful of getting injured.

**NOTE:** The dishwasher needs soft water for good cleaning results. Units used in areas with hard water may experience calcium deposits. It is recommended to use soft water for maximum cleaning and operation efficiency.

## USING DETERGENT

Dishwasher detergent is necessary to remove food from dishes and help move it out of the dishwasher. Only use detergents that are specifically made for dishwashers. Fill the detergent dispenser before the start of each wash per the instructions provided in the Wash Cycle Table. ALWAYS add the detergent just before starting the dishwasher to avoid it getting wet as that may prevent it from dissolving properly

## DETERGENTS

You can find powder, gel, and tablet detergents that have been designed for household dishwashers. Detergent should be put into the compartment prior to starting the machine. Add the proper detergent for the selected program to ensure the best performance. Use less detergent if the dishes are only lightly soiled. Using too much detergent can leave a film on dishes and in the dishwasher resulting in poor wash performance. Do not use detergent tablets for shorter wash cycles as they may not dissolve completely, causing detergent residue on dishes and inefficient cleaning.

**NOTE:** The amount of detergent needed depends on the cycle, load size, and soil level of dishes. Too much detergent in soft water may cause glass corrosion and does not dissolve in water.

**▲ WARNING:** Do not use too much detergent if your water supply is soft.

**▲ WARNING:** Keep your detergents in cool, dry places out of reach of children. See the detergent manufacturer's instructions for further information.

**▲ WARNING:** Detergent tablets do not fully dissolve with short programs. To prevent detergent residues on the tableware, we recommend that you use the tablets with long programs.

**▲ WARNING:** Do not use detergent in Rinse cycle.

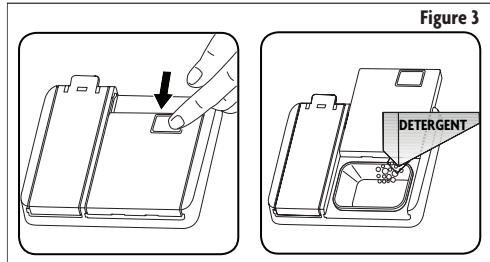
If you do not know the hardness of your water supply, use 3 tsp/15 ml detergent. Increase the amount of detergent if you see white water marks especially on the surface of the glassware.



## FILLING DETERGENT DISPENSER

**NOTE:** The dispenser should be refilled just before the start of each program. ALWAYS make sure all detergent is used and the dispenser is empty after each wash cycle.

1. Push the latch to open the detergent dispenser as shown in the image.
2. Pour/put the detergent into the dispenser.
3. The detergent pod has lines marked on the inside to allow the measuring of detergent to be used. The dispenser can hold a total of 1.3 oz (40 cm<sup>3</sup>) of detergent. For washing heavily soiled items, use about 0.8 oz (25 cm<sup>3</sup>) of detergent, or 0.5 oz (15 cm<sup>3</sup>) for less soiled items. You may have to add more depending on the degree of wash needed and water hardness.
4. Close the dispenser.



**NOTE:** The dispenser will always be open at the end of a program.

**▲ WARNING:** Follow instructions on the detergent package when using concentrated powder, tablet, or liquid dishwasher detergent.

**▲ WARNING:** Amounts may vary if you use liquid or concentrated powder detergent. Tablet detergents should be placed in detergent container.

**▲ WARNING:** The amount used can vary depending on how dirty the dishes are and the hardness of the water.

**▲ WARNING:** Use only the proper amount of detergent. Continued use of too much detergent may cause machine damage.

## USING COMBINED DETERGENTS

When using combined detergents (2-in-1, 3-in-1, etc.) that contain detergent and a rinse aid:

- ALWAYS make sure to check the specifications of the product and whether or not it is a combined product.
- Check if the detergent used is appropriate for the water hardness and the dishwasher.
- Observe all instructions on packaging when using such products.
- If such detergents are in the form of tablets, DO NOT put them into the interior section or the cutlery basket of the dishwasher. ALWAYS put the tablets into the detergent compartment in the detergent dispenser.
- Combined detergents produce good results for certain types of usage only. If you are using this type of detergent, you need to contact the manufacturers and find out about the suitable conditions of use.
- Contact the detergent manufacturers if you are not obtaining good wash results (if your dishes stay calcareous and wet) after having used 2-in-1 or 3-in-1 detergent. The scope of warranty for your machine does not cover any complaints caused by the use of these types of detergents.

Recommended usage: If you want to obtain better results while using combined detergents rinse aid and the rinse aid setting to the lowest position.

**▲ CAUTION:** Solubility of the tablet detergents produced by different companies can vary depending on the temperature and time. Therefore, it is not recommended to use such detergents in short programs. It is more suitable to use powder detergents in such programs.

**▲ Warning:** Should any problem, which you have not encountered before, arise with the use of this type of detergents, contact the detergent manufacturers directly.

## USING RINSE AID

- Rinse-aid makes dishes sparkle and helps them to dry without spotting. Rinse-aid is required for stain-free utensils and clear glasses.
- Use only rinse-aid for domestic dishwashers.
- Filling the rinse aid reservoir with detergent will damage the reservoir. Only pour rinse aid formulated for residential dishwashers into the reservoir.

**NOTE:** When the Rinse Aid indicator lights up, the rinse aid reservoir contains sufficient rinse aid for 2 - 3 programs only. When using “Tab” or combined detergents, rinse aid is not needed.

### FILLING THE RINSE-AID AND SETTING THE LEVEL

1. Pull up the tab to open the rinse-aid compartment cap. (Fig.4)
2. Fill the compartment with rinse aid to the MAX level. Be careful not to overfill the rinse aid compartment and wipe up any spills.
3. Close the cap until it clicks. If the cap is not properly closed, water can enter the rinse aid reservoir during the wash program.

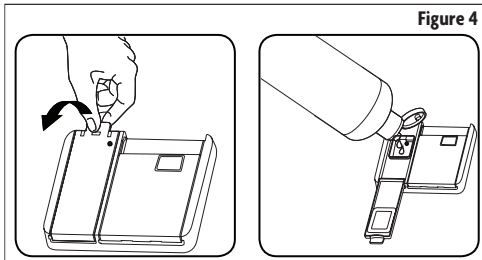


Figure 4

To change the rinse aid level, follow the below steps before turning on the machine:

1. With the dishwasher Off, press and hold the 'Program' button.
2. While still pressing the 'Program' button, press the 'On/Off' button. Continue pressing 'Program' until "rA" disappears from the display and the last rinse aid setting shows (see rinse aid chart).
3. The Rinse Aid setting can be changed by pressing the 'Program' button.
4. Once the setting is selected, press 'On/Off' to turn off the unit and save the setting.

**NOTE:** If the dishes are not drying properly or are spotted, increase the level. If blue stains form on your dishes, decrease the level.

Level	Rinse Aid Dose	Indicator
1	None	r1
2	1 dose	r2
3	2 doses	r3
4	3 doses	r4
5	4 doses	r5

## LOADING YOUR DISHWASHER

Properly loading items into the dishwasher is the best way to increase washing and drying performance while lowering energy consumption.

Load round and deep items as pots with long handles, pot lids, plates, and cutlery sets into the lower rack. The upper rack has been designed for smaller items, such as dessert plates, salad bowls, cups and glasses. When placing long stem glasses and goblets, lean them against the basket edge, rack or glass supporter, not against other items to prevent damage. It is more appropriate to locate thinner parts towards the middle sections of the racks. Place spoons among the other cutlery items to prevent them from sticking to one another. It is recommended to use the cutlery grid for best results. To avoid any possible injuries, ALWAYS place long-handle and sharp-pointed items as serving forks, knives etc. with their sharp points facing down or horizontally on the baskets.

**⚠ WARNING:** Arrange dishes in a way that they will not prevent the upper and lower spray arms from spinning.

**NOTE:** Place large and very dirty items in the lower rack.

**▲ WARNING:** DO NOT put items in the appliance that can absorb water (sponges, household cloths).

**NOTE:** Place all containers such as cups, glasses and pots into the dishwasher with the opening facing downwards to prevent water from collecting in them.

**NOTE:** Dishes and cutlery should not be placed on top of other items.

**NOTE:** DO NOT overload your dishwasher and pay attention to manufacturer instructions regarding dishes which are appropriate for use in a dishwasher.

High temperature water and dishwasher detergent may form a chemical synthesis that can damage certain items.

**▲ WARNING:** Be careful when loading and unloading sharp items. Load sharp knives with the handles up to reduce the risk of personal injury.

Follow the below steps before loading dishwasher.

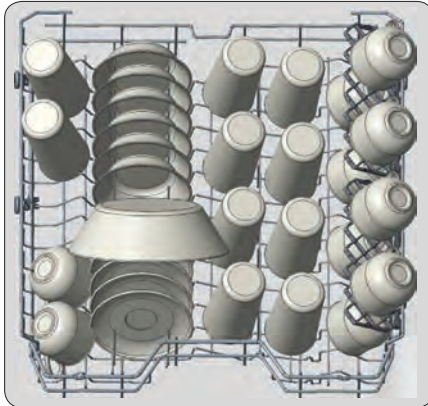
1. Open the door.
2. Remove coarse food leftovers from tableware.
3. Load the dishwasher.

**NOTE:** While the appliance is running if you open the door all functions are automatically interrupted. Once the door is closed functions will continue to work.

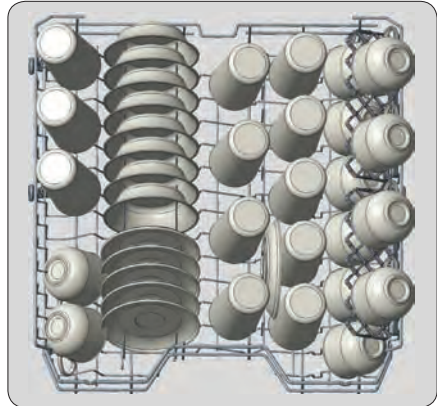
#### UPPER RACK LOADING

Load the upper rack with dessert plates, cups, glasses, etc.

Figure 5



10 place settings loading

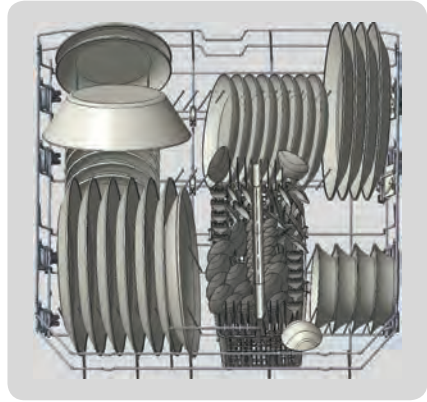
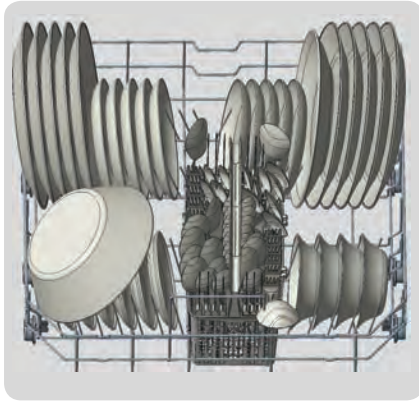


12 place settings loading

## BOTTOM RACK LOADING

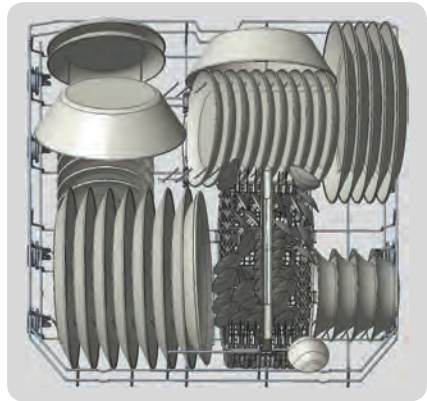
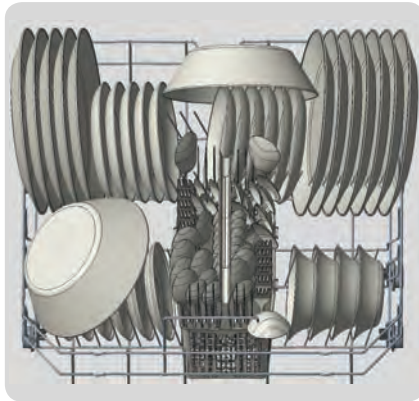
Load the lower rack with items that are round and deep, such as pots with long handles, pot lids, plates, salad plates, cutlery sets. The lower rack should not be used for small items such as cups, wine glasses.

Figure 6



10 place settings loading

Figure 7



12 place settings loading

**NOTE:** Place all large and heavily soiled items in the lower rack.

**▲WARNING:** Large knives, forks, and other utensils with sharp tips and edges must be placed horizontally into the upper rack due to risk of injury. Other smaller knives and sharp utensils should be placed with sharp side down in the cutlery basket.

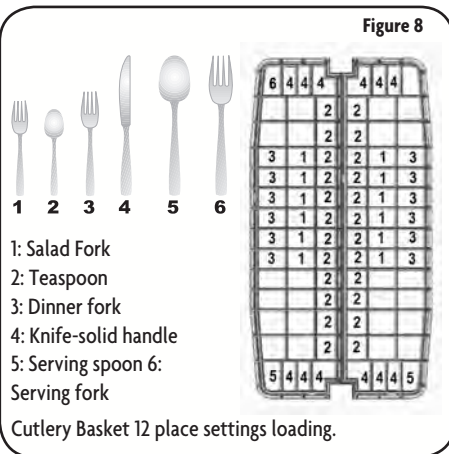
**NOTE:** Make sure that large items do not interfere with the rotation of the spray arms, and do not prevent the detergent dispenser from opening.

## CUTLERY BASKET LOADING

Load cutlery items into the basket as noted in Figure 8 for best results.

**▲WARNING:** Sharp cutlery items may have shifted during the wash cycle and may be wet and slippery. ALWAYS be very careful removing these items to prevent injury.

**NOTE:** Small items should be placed in the cutlery tray or cutlery basket.



## UPPER RACK

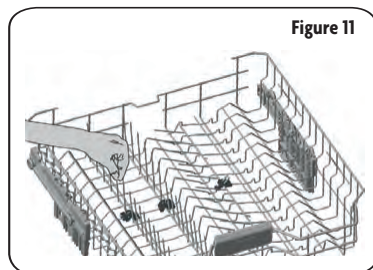
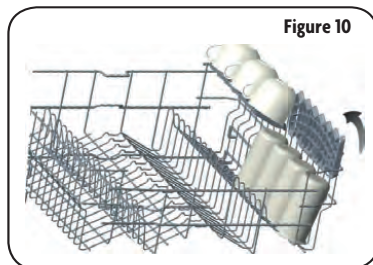
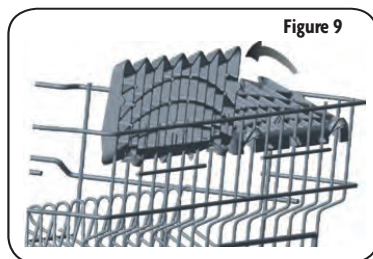
### Adjustable Rack

The height adjustable racks are designed to increase the capacity of the upper rack. The adjustable feature allows items such as cups and glasses to be placed on them, with more items place below. They can be used in 2 different positions, allowing longer items such as knives and forks to be placed on them horizontally so they do not interfere with the spray arms. (Fig. 9 & 10)

The horizontal wire located on top basket allows you to place your plates and bowls as needed. You can also wash kitchenware such as pots or pans by folding in the horizontal wire. (Fig. 11)

**NOTE:** Bringing the wires to the horizontal position by holding them from the tips may cause them to bend.

Carefully bring the wires in the middle to horizontal or vertical position by holding them from their stems and pushing.

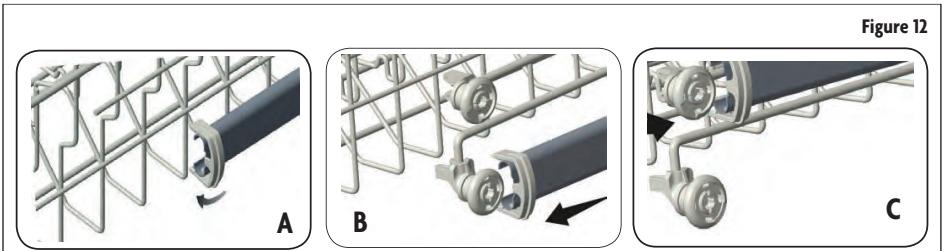


## BASKET HEIGHT SETTING

In certain models, the height setting of the upper rack may be changed using the wheels which are present at two height levels.

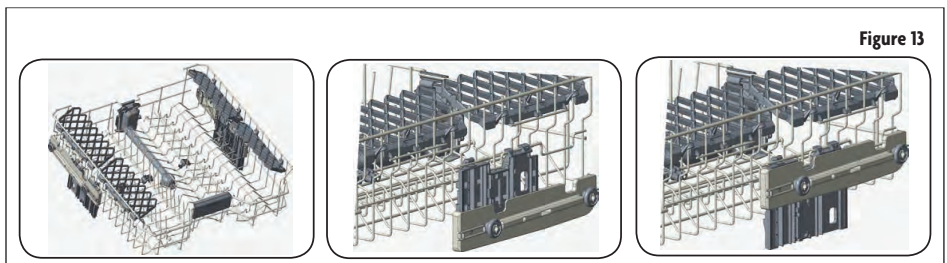
**▲ CAUTION:** Make sure that the rack is empty. Changing the height setting while the rack contains tableware could cause the contents to dislodge, causing personal injury or damage to the tableware.

1. Release the latches on both the right and left tracks of the upper rack by turning them to the outside (Fig. 12 - A).
2. Pull the track out completely (Fig. 12 - B).
3. Place the rack into the tracks again at the desired height (Fig. 12 - C).
4. Push the latches back into the correct position.



## CHANGING BASKET HEIGHT WHEN FILLED

The upper basket includes a mechanism which enables the height of the basket to be adjusted up or down without having to remove the basket. Hold the basket on both sides and pull it up or push it down, ensuring both sides of the upper basket are in the same position.

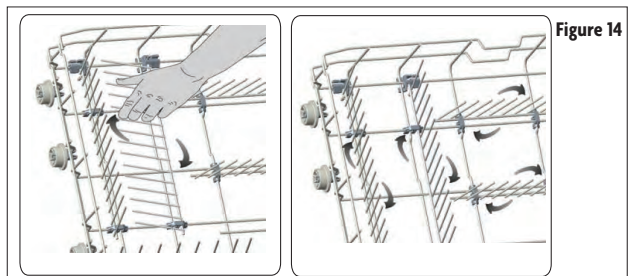


## LOWER BASKET FOLDING RACKS

The vertical stems on the lower rack can be folded down if needed to allow for easier placement of larger items.

**NOTE:** Bringing the wires to the horizontal position by holding them from the tips may cause them to bend.

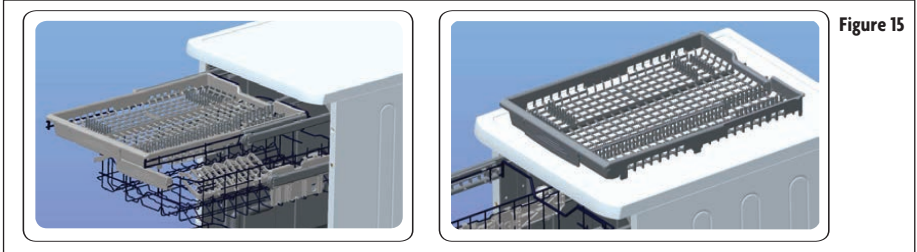
Carefully bring the wires in the middle to horizontal or vertical position by holding them from their stems and pushing.



## UPPER CUTLERY BASKET

The upper cutlery basket is designed for the placement of large and small cutlery and utensils. It is easily removable from the dishwasher to allow for easy removal of items and cleaning.

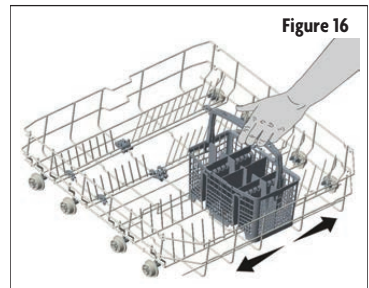
**▲ WARNING:** Knives and other sharp objects must be placed horizontally in the cutlery basket.



## SILVERWARE BASKET

The silverware basket is designed to wash knives, forks, spoons, etc. in a cleaner manner.

Since the cutlery basket can be moved, a wider space can be created to free up space for larger items as needed.



# OPERATING INSTRUCTIONS

## CONTROL PANEL

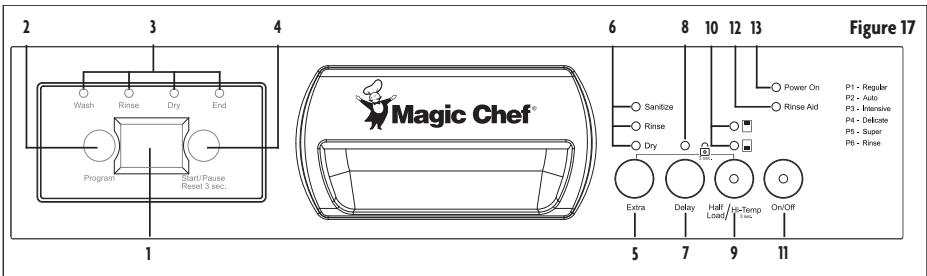


Figure 17

1. Display: Displays current setting/program, remaining time, etc.
2. Program Selection Button: Press to select wash program.
3. Wash Cycle Indicator LEDs: Indicates the current stage of the wash program: Wash, Rinse, Dry and End.
4. Start/Pause and Reset Button: Press to start or pause the selected program. Press and hold for 3 seconds to cancel the program.
5. Extra Function Button: Press to cycle through extra functions: Sanitize, Rinse and Dry.
6. Extra Function Indicator LEDs: Indicate additional functions selected for the wash program .
7. Delay Button: Press to start the delay wash program.
8. Delay Indicator LED: Lights when the Delay function is active.
9. Half Load/Hi-Temp Button: Press to select Half Load program for upper or lower basket.  
Press and hold for 3 seconds to select the Hi-Temp option. When selected, the water temperature and the washing time are increased.
10. Half Load Indicators: " " lights to indicate an Upper Basket Half Load, and " " lights to indicate a Lower Basket Half Load.
11. On/Off Button: Press to tun the dishwasher On or Off.
12. Rinse Aid Indicator: Lights when the rinse aid needs to be refilled.
13. Power On Indicator: Indicates that the power is on to the dishwasher.



## OPERATING THE DISHWASHER

### PREPARING TO WASH

1. Open the door of the dishwasher.
2. Place the dishes in accordance with the instructions in the user manual.
3. Make sure that the upper and lower impellers rotate freely.
4. Put an adequate amount of detergent into the detergent dispenser.
5. Check the Rinse Aid indicator light and add rinse aid if needed.

### PROGRAM SELECTION

1. Press the On/Off key to turn on the dishwasher. The door should be in the Open position.
2. Refer the “Programs Table” on page 19 to determine the washing program.
3. Press program selection key until the number of the program you selected appears on the display.
  - P1 – Regular
  - P2 – Auto
  - P3 – Intensive
  - P4 – Delicate
  - P5 – Super
  - P6 – Rinse

### EXTRA FUNCTIONS

The washing programs of the dishwasher are designed to obtain the best cleaning effect, considering the degree of soiling and properties of the dishes to be washed. The Extra Functions are provided in order to save time, water and energy and to wash using conditions specific to you.

Extra functions may cause changes in the program duration, and are not suitable for all washing programs. If the chosen function is not compatible with the selected program, the indicator will not light, and the dishwasher will emit a sound to inform you that the function will not be used.

- Sanitize Function: The Sanitize function raises the water temperature in the final rinse.
- Rinse: Adds an additional rinse to the wash program.
- Extra Dry Function: Increases the drying function at the end of the wash program.
- Hi-Temp Function: When this option is selected, both the water temperature and the wash time are increased. Press and hold the 'Half Load/Hi-Temp' button for 3 seconds to select.
- Half Load Function: Washes either the upper or lower basket. Use when there aren't enough dishes to fill the dishwasher.

To add an Extra function to the wash program:

1. Choose the desired wash program.
2. Press the 'Extra' button. The LEDs indicating any selected Extra functions will be lit.
3. Press the 'Half-Load/Hi-Temp' button to select "Half-Load", or hold it for 3 seconds to select 'Hi-Temp'.
4. To cancel any additional options, press the 'Extra' button 6 times.

### SETTING THE DELAY WASH TIMER

The Delay Wash Timer can be used to set the dishwasher to turn on and start washing at a later time if needed. The wash program can be set to delay up to 19 hours in increments of 1 hour.

To set the delayed start function:

1. Select the program and auxiliary functions desired, then press the 'Delay/Cancel' button. The display will alternate between "1h" (indicating to delay the start of the wash program for 1 hour) and the selected wash program duration.

2. Press the 'Delay' button to increase the delay time as needed. Each time you press the button, the time will increase by 1 hour.
3. Once you have set the number of hours to delay the wash start, press the 'Start/Pause' button and be sure to close the dishwasher door within 4 seconds.

**NOTE:** If the dishwasher door is opened while the Delay wash is active, and closed again within 4 seconds, the Delay time resumes as set. If the door is open for more than 4 seconds, the Delay timer will be paused, and you must press the 'Start/Pause' button to resume the timer.

**NOTE:** While the Delay Timer function is activated, you cannot make changes to the wash program or auxiliary functions for the duration of the delay.

**NOTE:** The delay timer cannot be set once a wash program has started.

To Cancel the delayed start function:

1. Open the door of the dishwasher.
2. Press and hold the 'Delay' button for 3 seconds.
3. After holding the button for 3 seconds a "1" will show on the display, it will change to "0" when the delayed start program canceled.

## STARTING THE WASH CYCLE



Once the dishwasher is loaded and the wash program and extra functions are selected, press the 'Start/Pause' button. When the washing program begins, the remaining time will show on the display.

- DO NOT open the door of the dishwasher while a wash program is running. If the door is opened, the unit will switch to standby and the program will stop. Press 'Start/Pause' to resume.
- If the door must be opened, press the 'Start/Pause' button first and then open the door. To continue to the washing program, close the door and press 'Start/Pause' button.

**NOTE:** Program and extra functions cannot be changed once the program has started.

## CANCELLING THE WASH PROGRAM

To cancel the wash program after it has started, Press and hold the 'Program/Cancel' button for 3 seconds. The display will show "1" and the dishwasher will perform any functions necessary for canceling the program.

**NOTE:** Depending on the stage of the wash program the unit was currently in when the program is canceled, there may be residual detergent or rinse aid on items.

## END OF WASH PROGRAM

When the wash program is finished, the "End" indicator will be lit. Open the door and press the 'On/Off' button to turn off the dishwasher. Leave the dishes in the unit with the door ajar for about 15 minutes to cool down and to finish drying.

## CHILD LOCK

The child lock can be used to prevent the control panel from being used. Press and hold the 'Extra' and 'Half Load/Hi-Temp' buttons for 3 seconds. All LED's will flash and "CL" will be shown on the display. Repeat the instructions to deactivate the child lock function.

## WATER CUT-OFF WARNING

If mains water or water inlet tap is turned off, “FF” will flash continuously on the display. The dishwasher will start a new wash program when the water supply is restored.

## OVERFLOW WARNING

If the machine intakes too much water or there is leakage at any of the components then the machine will detect this and “FI” will flash on the display. As long as the overflowing continues, safety algorithm will be active and try to discharge the water. If overflowing stops and safety is assured, “FI” will disappear. If “FI” does not disappear, there is a permanent fault. In this case, the authorized service should be contacted.

If the dishwasher detects that there is too much water or a leakage at any of the components, the display will flash “FI” and the unit will attempt to discharge the water. When the overflow stops or the issue is fixed, the “FI” will turn off. If the code remains, contact customer service for assistance.

## PROGRAMS AND OPTIONS TABLES

Programs		Duration (min)	Descriptions
Regular	Dirty	145	Standard program for daily, regular or typical use to completely wash a load of normally soiled dishes.
	Clean	122	
Auto	Dirty	155	Program automatically adjusts the temperature and the quantity of water, the energy consumption and the program duration.
	Clean	110	
Intensive		130	Suitable for heavily soiled dishes.
Delicate		90	Suitable for lightly soiled delicate dishes.
Super		50	Suitable for normally soiled daily dishes with faster program.
Rinse		15	Suitable to rinse dishes that you plan to wash later.

Compatibility of Programs and Options		Options				
		Half Load	Hi-Temp	Sanitize	Extra Rinse	Extra Dry
Programs	Regular	X	X	X	X	X
	Auto	X	X	X	X	X
	Intensive	X	X	X	X	X
	Delicate	X	-	-	X	X
	Super	X	X	X	X	X
	Rinse	X	-	-	-	-

**NOTE:** The program duration may change according to the amount of dishes, the water temperature, the ambient temperature in the room, and any selected additional functions.

**NOTE:** The energy-usage label is based on the “Regular” program. This program is the most efficient in terms of its combined energy and water consumption at cleaning normally soiled dishes.

- Only use powder detergent for short programs.
- Short programs do not include drying.
- To assist drying, we recommend slightly opening the door after a cycle is complete.

# CARE AND MAINTENANCE

**▲ WARNING:** Before cleaning or carrying out maintenance, switch off the appliance, disconnect the mains plug and turn off the water tap.

Your dishwasher can only be repaired by an authorized service agent. DO NOT try to repair your machine.

**▲ WARNING:** All surfaces are susceptible to scratching. Using unsuitable cleaning agents can alter or discolor all surfaces.

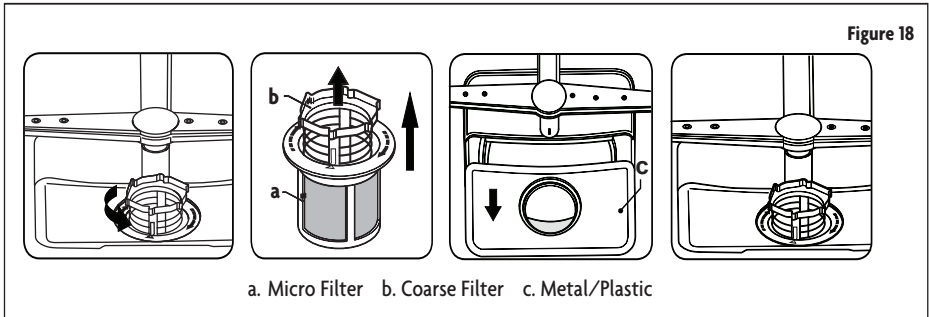
**▲ WARNING:** Keep the floor around your dishwasher clean and dry to prevent any possible injury. We recommend to keep your dish washer clean, empty and door cracked open to allow air to circulate in case of any extended unused time. The dishwasher door can be damaged by abrasive cleaners, scouring pads, abrasive cloths, and similar harsh materials. Cleaning the machine in regular intervals prolongs the machine's service life. Oil and lime may accumulate in the machine's washing section. In case of such accumulation, fill the detergent compartment without loading any dishes into the machine, select a program that runs at high temperature, and start the machine. If this is not sufficient to clean the interior, use specialized dishwasher cleaning solutions and follow the directions of that product.

Clean the door seal regularly to remove any accumulated residues by carefully wiping with a soft damp cloth.

## CLEANING THE FILTERS

Check the filters in the dishwasher for any food or debris that have been trapped in the filters. Regularly remove the filters and rinse them with water until clean.

1. Turn the Coarse and Filter counter-clockwise and pull it up and out of the bottom of the unit.
2. Separate the Coarse Filter from the Micro Filter.
3. Remove the Metal/Plastic filter from the bottom of the dishwasher.
4. Rinse all pieces until clean and place them back into the unit.



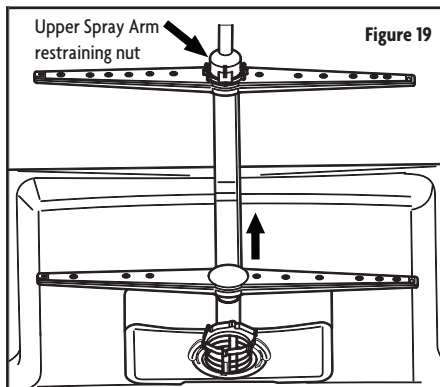
## CLEANING THE SPRAY ARMS

The Spray Arms must be regularly checked for clogged holes and cleaned as needed.

The Lower Spray Arm can be removed by pulling it upwards, while the upper spray arm can be removed by unscrewing the retaining nut at the top.

Check the holes in the spray arms for any debris that may be clogging them, or any residues that may be on them. Clean them carefully with water to keep the dishwasher sanitary and efficient.

When refitting the spray arms in place, be sure the retaining nut at the top is in the correct position and properly tightened.



## ITEMS THAT SHOULD NOT BE WASHED IN THE DISHWASHER

- All items to be placed in the dishwasher should be dishwasher safe.
- Plastics with “dishwasher safe” or equivalent label can only be used in dishwashers. Some plastics may lose their shape or color. Check with manufacturer for recommendations.
- Any dishes made out of wood or made out with wooden parts are not suitable for washing in dishwashers. High temperatures can cause the wood swell or crack.
- Silver items without dishwasher safe label should not be washed in the dishwasher. High temperatures and detergent can damage your silver. Check with manufacturer for recommendations.
- Dishwasher safe silver items and stainless-steel items should not come into contact as the silver can become discolored.
- Porcelains and glassware with decorations and hand-painted utensils may lose their color and patterns due to the high temperatures. Check with manufacturer for recommendations.
- Aluminum can turn dark in the dishwasher due to the heat, the detergent used or certain minerals in your water.
- Do not wash sponges or dish cloths in dishwasher.
- Do not wash materials such as acrylic, copper, brass, pewter, iron, bronze or tin.
- Pots without a non-stick coating are safe to be cleaned in the dishwasher but some non-stick pots and pans can lose their coating.
- Glued dishes or cutlery are not suitable for machine washing since the adhesives that join materials such as plastic, wood, bone, steel, copper, tin, etc. may loosen.

If there is any doubt about any aspect concerning items to be washed in the dishwasher, follow the instructions from the manufacturer of the items, or wash the items by hand.

**▲ WARNING:** If in doubt, wash by hand or follow the instructions from the manufacturer of utensils, dishes, glasses or pots and pans. Do not wash items soiled with cigarette ash, candle wax, varnish, paints or chemicals as they may damage your dishwasher.

**▲ WARNING:** To avoid water dripping from the upper rack onto dishes in the lower rack, empty the lower rack first.

**▲ WARNING:** In general, it is not advisable to open the door while the dishwasher is in operation. If the door is opened, a safety device stops the dishwasher. Care should be taken when opening the door immediately following the cycle, as steam may escape.

# TROUBLESHOOTING

FAULT	POSSIBLE CAUSE	TROUBLESHOOTING
The program does not start.	Your dishwasher is not plugged in.	Plug your dishwasher in.
	Your dishwasher is not switched on.	Switch your dishwasher on by pressing the On/Off key.
	Fuse blown.	Check your indoor fuses.
	Water inlet tap is closed.	Turn on the water inlet tap.
	Your dishwasher door is open.	Close the dishwasher door.
	Water inlet hose and machine filters are clogged.	Check the water inlet hose and machine filters and make sure they are not clogged.
Water remains inside the machine.	Water drain hose is clogged or twisted.	Check the drain hose, then either clean or untwist it.
	The filters are clogged.	Clean the filters.
	The program is not finished yet.	Wait until the program is finished.
Machine stops during washing.	Power failure.	Check mains power.
	Water inlet failure.	Check water tap.
Shaking and hitting noises are heard during a wash operation.	The spray arm is hitting the dishes in the lower basket.	Move or remove items blocking the spray arm.
Partial food wastes remain on the dishes.	Dishes placed incorrectly, sprayed water not reaching affected dishes.	Do not overload baskets.
	Dishes leaning each another.	Place dishes as instructed in the section on loading your dishwasher.
	Not enough detergent used.	Use the correct amount of detergent, as instructed in the program table.
	Wrong wash program selected.	Use the information in the program table to select the most appropriate program.
	Spray arms clogged with food waste.	Clean the holes in the spray arms.
	Filters or water drain pump clogged or filter misplaced.	Check the drain hose and filters are correctly fitted.

## FAULT CODES

TROUBLE CODE	POSSIBLE FAULT	WHAT TO DO
FF	Water inlet system failure	Make sure the water inlet tap is open and water is flowing.
		Separate the inlet hose from the tap and clean the filter of the hose.
		Contact for service if the error continues.
F5	Pressure system failure	Contact for service.
F3	Continuous water input	Close the tap and contact for service.
F2	Inability to discharge water	Water discharge hose and filters may be clogged.
		Cancel the program.
		If the error continues, contact for service.
F8	Heater error	Contact for service.
F1	Overflow	Unplug the machine and close the tap.
		Contact for service.
FE	Faulty electronic card	Contact for service.
F7	Overheating	Contact for service.
F9	Divisor position error	Contact for service.
F6	Faulty heater sensor	Contact for service.
HI	High voltage failure	Contact for service.

## ADDITIONAL INFORMATION AND TIPS

- When the unit isn't in operation:
  - Disconnect the plug and close the tap.
  - Leave the door slightly open to prevent odor formation.
- Select the dry option to remove standing water droplets.
- Place dishes in the machine properly to get best results in cleaning and efficiency.
- Rinse dirty dishes before placing them in the dishwasher.
- Only use the Rinse program when necessary.
- DO NOT install the unit near a refrigerator or freezer as it will reach high temperatures.
- If the dishwasher is located in an area that is at risk of freezing, close the tap, disconnect the inlet hose from the tap and drain the water inside the hose and the unit completely.



## LIMITED WARRANTY

MC Appliance Corporation warrants each new Dishwasher to be free from defects in material and workmanship, and agrees to remedy any such defect or to furnish a new part(s), at the company's option, for any part(s) of the unit that has failed during the warranty period. Parts and labor expenses are covered on this unit for a period of one year from the date of purchase. A copy of the dated sales receipt/invoice is required to receive warranty service, replacement or refund.

This warranty covers appliances in use within the contiguous United States, Alaska, Hawaii and Puerto Rico. This warranty does not cover the following:

- Damages due to shipping damage or improper installation.
- Damages due to misuse or abuse.
- Content losses due to failure of the unit.
- Repairs performed by unauthorized service agents.
- Service calls that do not involve defects in material and workmanship such as instructions on proper use of the product or improper installation.
- Replacement or resetting of house fuses or circuit breakers.
- Failure of this product if used for other purposes than its intended purpose.
- Disposal costs for any failed unit not returned to our factory.
- Any delivery/installation costs incurred as the result of a unit that fails to perform as specified.
- Expenses for travel and transportation for product service if your appliance is located in a remote area where service by an authorized service technician is not available.
- The removal and reinstallation of your appliance if it is installed in an inaccessible location or is not installed in accordance with published installation instructions.
- Refunds for non repairable products are limited to the price paid for the unit per the sales receipt.
- This warranty is non transferable. This warranty applies only to the original purchaser and does not extend to any subsequent owner(s).

### Limitations of Remedies and Exclusions:

Product repair in accordance with the terms herein, is your sole and exclusive remedy under this limited warranty. Any and all implied warranties including merchantability and fitness for a particular purpose are hereby limited to one year or the shortest period allowed by law. MC Appliance Corporation is not liable for incidental or consequential damages and no representative or person is authorized to assume for us any other liability in connection with the sale of this product. Under no circumstances is the consumer permitted to return this unit to the factory without the prior written consent of MC Appliance Corporation.

Some states prohibit the exclusion or limitation of incidental or consequential damages, or limitations on implied warranties. This warranty gives you specific legal rights, and you may also have other rights which vary from state to state.

<b>Model</b>	<b>Parts</b>	<b>Labor</b>	<b>Type of Service</b>
MCSDW7FCB	One Year	One Year	In Home
MCSDW7FCW	One Year	One Year	In Home

For Service or Assistance please call **888-775-0202** or visit us on the web at [www.mcappliance.com](http://www.mcappliance.com) to request warranty service or order parts.





**CNA International, Inc. d/b/a MC Appliance Corporation. All rights reserved.  
Magic Chef® logo is a registered trademark of CNA International, Inc.**

**[www.mcappliance.com](http://www.mcappliance.com)**

**Printed in Turkey**